

| | |
|-------|-------------------|
| brand | MC CULLOCH |
|-------|-------------------|

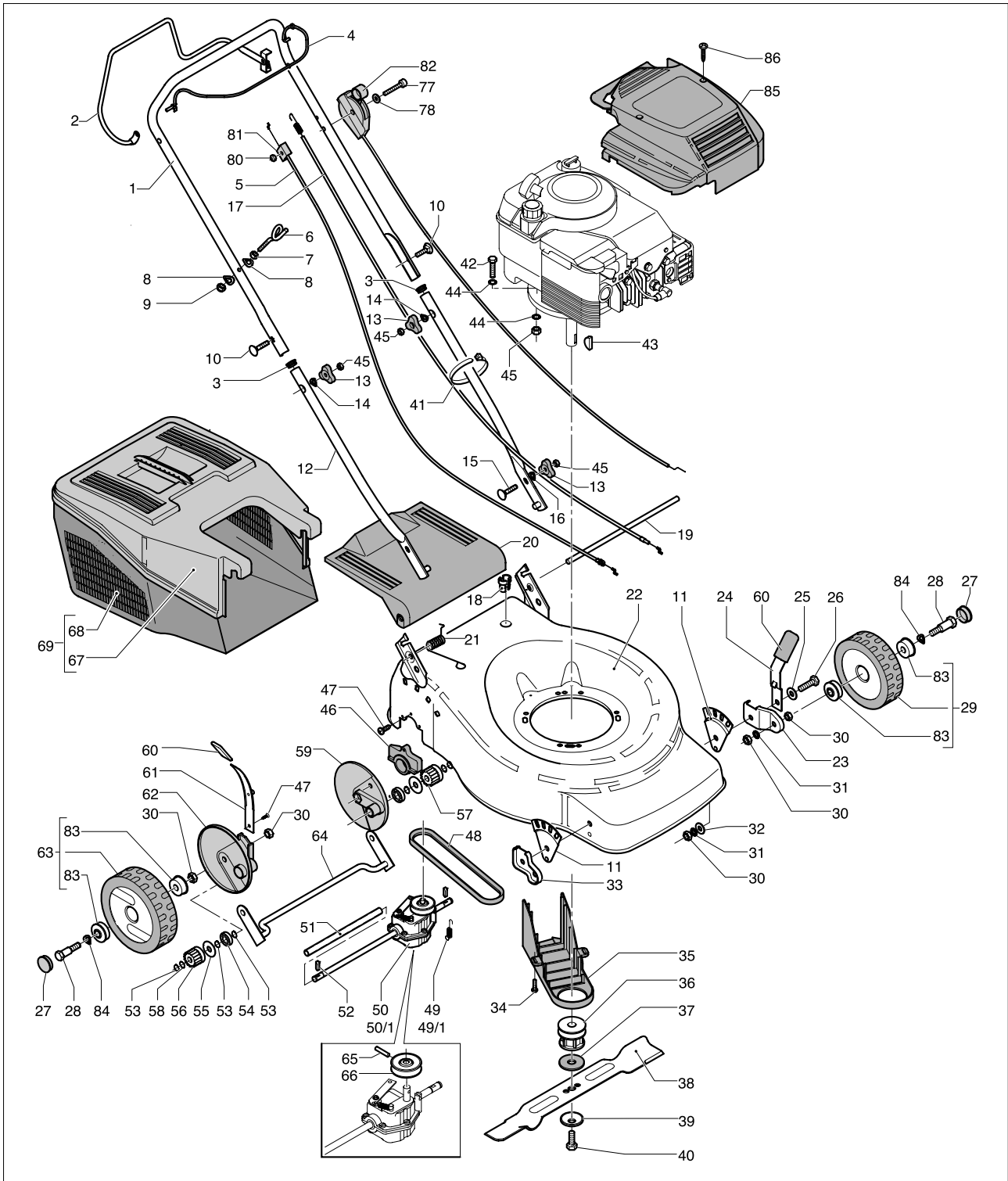
| | | |
|------|--------|-----------|
| date | JAN/02 | SHEET 1/2 |
|------|--------|-----------|

Model

| |
|-----------------|
| MC 646SP |
| |
| |

Product number

| |
|------------------|
| 953878216 |
| |
| |



| | |
|-------|-------------------|
| brand | MC CULLOCH |
|-------|-------------------|

| | | |
|------|--------|-----------|
| date | JAN/02 | SHEET 2/2 |
|------|--------|-----------|

| |
|-----------------|
| MC 646SP |
|-----------------|

| Pos | PN ELX | PN MEP | Q.ty | Note | Pos | PN ELX | PN MEP | Q.ty | Note |
|-----|-----------|----------|------|------------------------|------|-----------|----------|------|---------------------------|
| 1 | 531205204 | 10121743 | 1 | | 40 | 531208008 | 20120580 | 1 | TE 3/8 UNFx37-8,8 1/2F ZB |
| 2 | 531205208 | 10121823 | 1 | | 41 | 531205581 | 10135600 | 1 | 160X4,5 |
| 3 | 531208950 | 20833303 | 2 | | 42 | 531205196 | 10121700 | 2 | TE M8x35 UNI 5739-8,8-ZB |
| 4 | 531205168 | 10121463 | 1 | | 42 | 531206681 | 10291000 | 1 | TE M8x60 UNI 5737-8,8-ZB |
| 5 | 531205191 | 10121610 | 1 | 1097/148 (ALL BS) | 43 | 531204907 | 10100900 | 1 | 4x6,5 UNI6606 WODRUF |
| 6 | 531205169 | 10121470 | 1 | | 44 | 531207981 | 20106200 | 6 | D.8E DIN 6798 |
| 7 | 531207165 | 10501200 | 1 | M6 H6 UNI 5587-6S-ZB | 45 | 531207982 | 20106300 | 7 | M8 H8 UNI 5587-6S ZB |
| 8 | 531204961 | 10115900 | 2 | 6,5E | 46 | 531205944 | 10146093 | 2 | |
| 9 | 531208491 | 20281800 | 1 | M6 H8 UNI7473-ZB | 47 | 531208216 | 20135720 | 3 | TCTC 2F D.5x16 AC |
| 10 | 531207089 | 10402401 | 2 | TTSQ M8x50 TF ZB | 48 | 531207280 | 10548500 | 1 | |
| 11 | 531210608 | 10146890 | 2 | | 49 | 531205216 | 10121920 | 1 | |
| 12 | 531206071 | 10150133 | 2 | | 49/1 | 531206182 | 10155210 | 1 | |
| 13 | 531204923 | 10114303 | 4 | | 50 | 531204755 | 9767400 | 1 | |
| 14 | 531207090 | 10402402 | 2 | 8,5 | 50/1 | 531204759 | 09767900 | 1 | HA/20 |
| 15 | 531204921 | 10114100 | 2 | TTSQ M8x25 T.FIL. ZB | 51 | 531207697 | 10766503 | 1 | |
| 16 | 531204922 | 10114200 | 2 | 8x16x1,5 ZB | 52 | 531205108 | 10121160 | 2 | "S" 5x5(-0,05) x19,2 DIAG |
| 17 | 531206191 | 10155290 | 1 | | 53 | 531208772 | 20655800 | 5 | D.12E DIN 471 |
| 17 | 531210986 | 10172730 | 1 | | 54 | 531208778 | 20657600 | 2 | D.12/28/8 6001/2RS |
| 18 | 531205557 | 10135413 | 1 | | 55 | 531207847 | 10831200 | 2 | D.12/34/0,7 ZB |
| 19 | 531205060 | 10120530 | 1 | | 56 | 531205045 | 10120160 | 1 | DX |
| 20 | 531205060 | 10146211 | 1 | | 57 | 531205046 | 10120170 | 1 | SX |
| 21 | 531205999 | 10146330 | 1 | | 58 | 531208859 | 20761300 | 2 | D.12,4x17x0,3 |
| 22 | 531210718 | 10172671 | 1 | | 59 | 531205195 | 10121673 | 1 | |
| 23 | 531204915 | 10107302 | 1 | DX | 60 | 531207986 | 20107203 | 3 | |
| 24 | 531207985 | 20107201 | 2 | | 61 | 531205228 | 10121970 | 1 | |
| 25 | 531206020 | 10146530 | 2 | UNI 8840 B12 (13/24/1) | 62 | 531205194 | 10121663 | 1 | |
| 26 | 531204912 | 10107100 | 2 | | 63 | 531205024 | 10120064 | 2 | D.190/26 C/INGR.TAC |
| 27 | 531204936 | 10114804 | 4 | | 64 | 531205210 | 10121840 | 1 | |
| 28 | 531205042 | 10120090 | 4 | | 65 | 531207703 | 10768400 | 1 | |
| 29 | 531204371 | 09120084 | 2 | D170/26 TACCH.C/CUS. | 66 | 531208899 | 20768203 | 1 | |
| 30 | 531207978 | 20101700 | 10 | M10 H8 UNI 5588-6S ZB | 67 | 531205949 | 10146113 | 1 | |
| 31 | 531208974 | 30102100 | 4 | 10E | 68 | 531208306 | 20146303 | 1 | |
| 32 | 531207989 | 20113000 | 2 | 10x30x2,5 | 69 | 531204642 | 09146573 | 1 | |
| 33 | 531204914 | 10107301 | 1 | SX | 77 | 531206212 | 10155420 | 1 | TE M5x60 UNI 5739-4.8 T.F |
| 34 | 531207856 | 10831800 | 3 | TEFR 5x10 ZB PASSO | 78 | 531206666 | 10284700 | 1 | M5 DIN 6923 |
| 35 | 531205047 | 10120183 | 1 | | 80 | 531205213 | 10121890 | 1 | |
| 36 | 531205048 | 10120200 | 1 | | 81 | 531208043 | 20121983 | 1 | |
| 37 | 531207243 | 10531700 | 1 | 17,2x50x1,5+0,1 | 82 | 531206210 | 10155360 | 1 | B&S 1430/48-SPIR.PIATT. |
| 38 | 531205072 | 10120680 | 1 | | 83 | 531205214 | 10121900 | 8 | |
| 39 | 531207237 | 10530900 | 1 | 11x50x2,5 | 84 | 531206644 | 10275100 | 4 | UNI 8840-B12(13/24/0,8 |
| | | | | | 85 | 531205818 | 10140970 | 1 | |
| | | | | | 86 | 531205823 | 10140983 | 2 | |